

EXTRACTION ARMS



PSS

High-quality, acid-resistant extractor arm in stainless steel for stringent sanitary requirements



MOVEX
PURE ADVANTAGE

MOVEX PSS
simple to
install, easy
to clean.



EASY CLEANING:

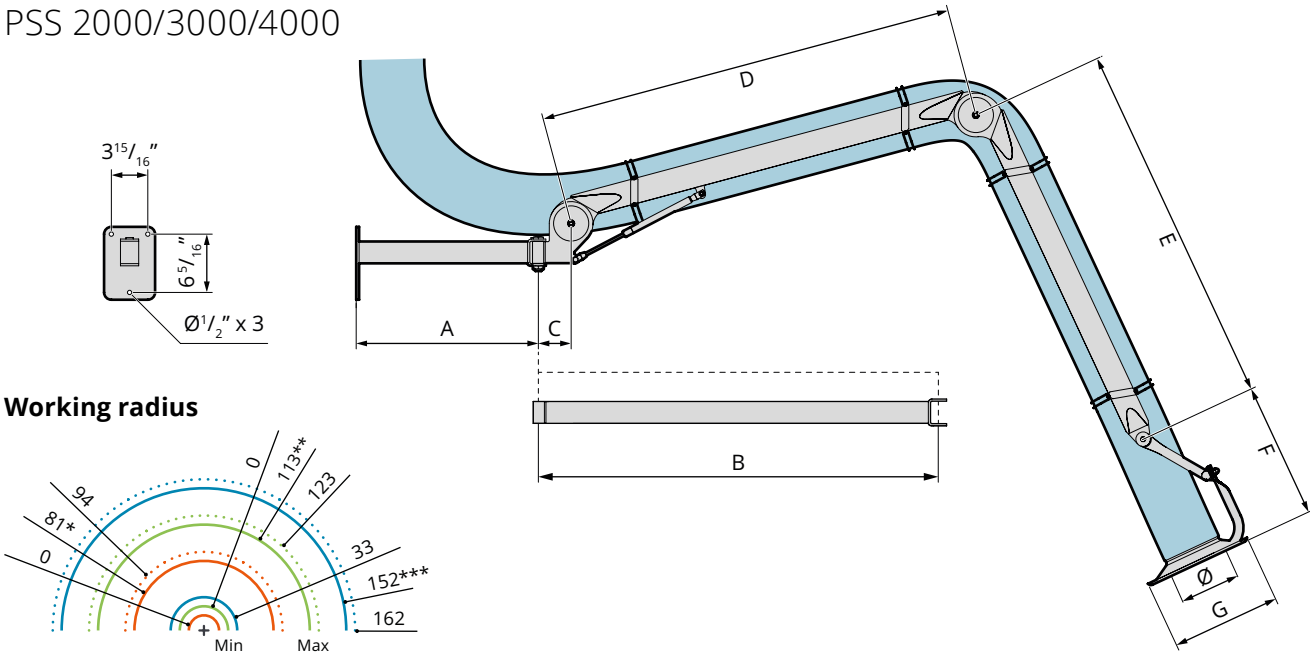
1. Acid-resistant, high-gloss polished steel
2. Quick hose connection
3. Detachable protective grille
 - Component-free airflow
 - Fully sealed profile
 - Few components
 - Food-grade hose
 - Permanent antistatic earthing

Fully stainless steel extractor arm for demanding work environments.

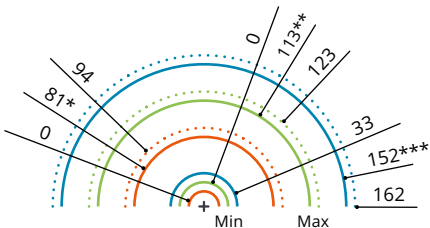
MOVEX PSS – smart and stylish design developed primarily for industries with stringent hygiene requirements, such as the food and pharmaceutical industries. The design evolved from MOVEX's fundamental principle on external support arms, which produce the lowest pressure drop and pose little risk of blockage. All surface finishing is high-gloss polished stainless steel, and the antistatic hose is fitted with quick-connectors, which makes PSS the easiest extractor arm to clean in the industry. Available in lengths of 7', 10' & 14', and in 4", 6" or 8" diameters.

Dimensions diagram (in)

PSS 2000/3000/4000



Working radius



= Max radius

= Min/max working radius

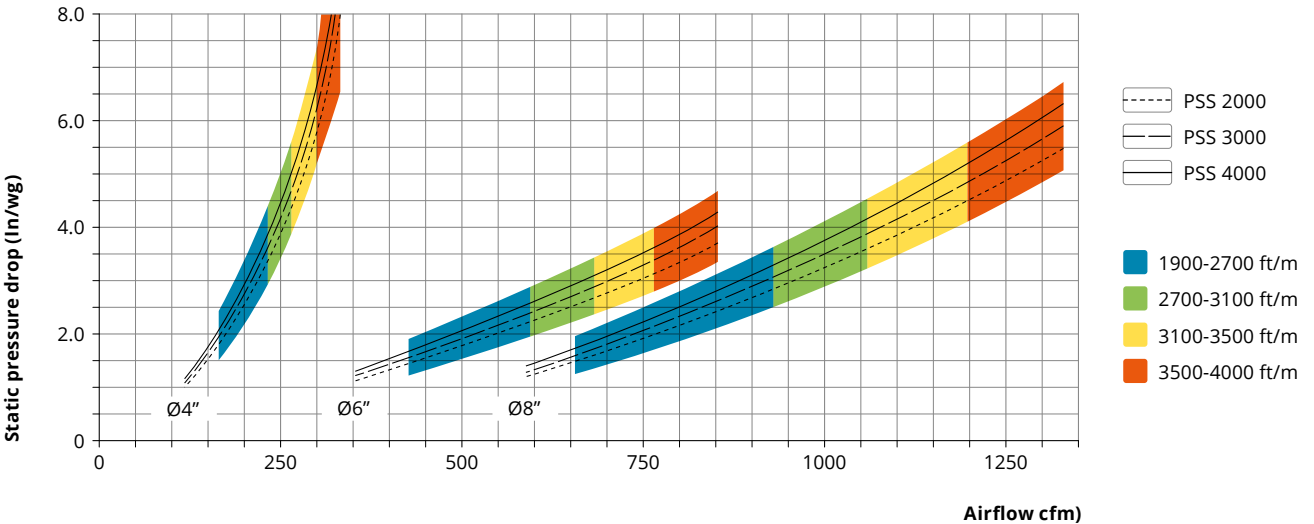
* For mounting height 79" and working height 30".
 ** For mounting height 85" and working height 30"
 *** For mounting height 85" and working height 30".

Model	A (in)	B* (in)	C (in)	D (in)	E (in)	F (in)	G (in)	Ø (in)
PSS 2000	19 3/4	-	3 1/2	25 1/2	29 1/2	14 1/2	11 3/4	4/6/8
PSS 3000	19 3/4	-	3 1/2	45 1/4	39 1/2	14 1/2	11 3/4	4/6/8
PSS 4000	19 3/4	39 1/2	3 1/2	45 1/4	39 1/2	14 1/2	11 3/4	4/6/8

* Only applies to PSS 4000.

Pressure drop diagram

PSS 2000/3000/4000



Accessories

PSS 2000/3000/4000

Damper PSSMS

Food-grade manual damper in acid-resistant steel.
Easy to fit/remove for quick and easy cleaning.

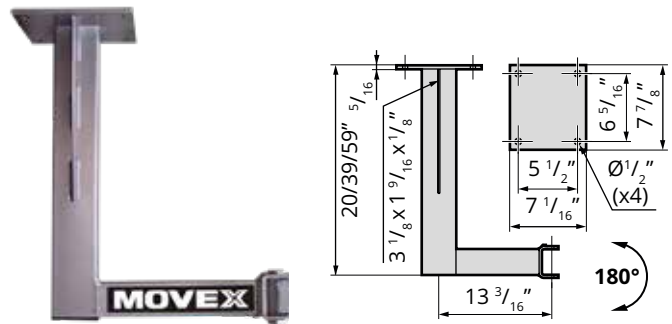
Model	Dimensions (Ø)
PSSMS-100	4"
PSSMS-160	6"
PSSMS-200	8"



Ceiling bracket TIX SS

Ceiling bracket in sealed, high-gloss polished and acid-resistant profile steel.

Model	Length
TIX 500SS	20"
TIX 1000SS	40"
TIX 1500SS	60"



Specification

Form of delivery

The extractor arm is supplied partially assembled with wall bracket for simple installation.

Hose type

Polyether polyurethane. Helix made of stainless steel wire. Withstands temperatures between -40 °F to +212 °F. Permanent antistatic (R <= 10 9 Ohm). Resistant to hydrolysis and microbes, non-toxic, and food-grade certified in accordance with EC Regulation No. 1935/2004 and No. 10/2011, FDA standards 21 CFR 177.2600 and 178.2010.

Other hoses with special adaptations can be supplied upon request. Kindly contact Movex.

Surface treatment

Steel parts	High-gloss polished RA >1.0 acid-resistant stainless steel, quality EN 1.4401/ AISE 316L
Plastic parts	PA6 (FDA)
Rubber parts	EPDM (FDA)

Weight (hose excluded)

Model	Weight (lb)
PSS 2000	24
PSS 3000	26
PSS 4000	36

THE MOVEX RANGE INCLUDES EXTRACTION ARMS · VEHICLE EXHAUST EXTRACTION · FANS · FILTERS · CONTROLS

MOVEX

104 Commerce Drive, NORTHAMPTON, PA 18067, USA • Tel: 610-440-0478 • Fax: 610-440-0480 • Email: info@movexinc.com

www.movexinc.com